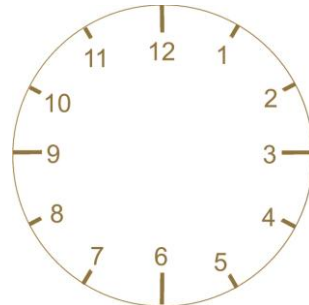


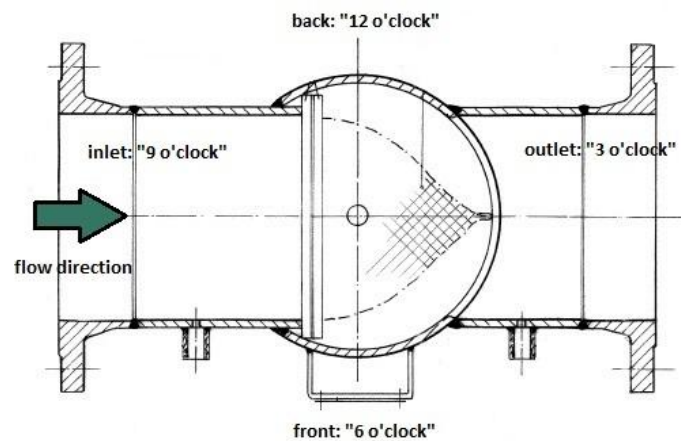


Positioning: connections / pipe elbows

For clarification, in which direction connections/sockets or pipe/elbows shall be installed, in following a visualization using watch hands position



View: from top – „bird’s eye view“



View: from front

